

Series AS

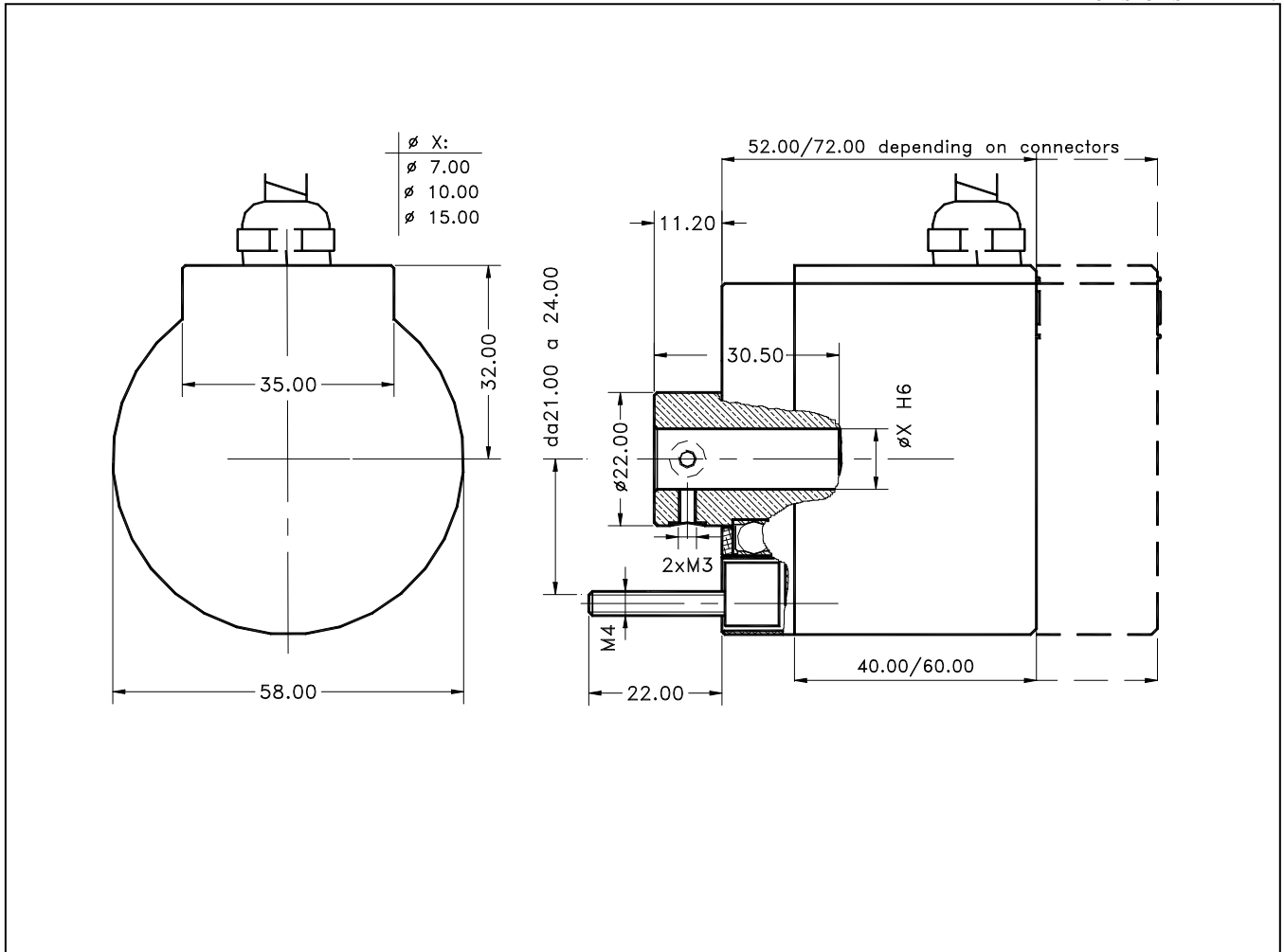
Absolute semi-hollow shaft encoder (ø58mm)

Mechanics Data

Cover:	Lacquered aluminium
Body:	Aluminium
Solid shaft:	Stainless steel
Bearings:	2, ballraces
Weight:	Approx.300gr.
Protection:	IP54 (IP65 on request Max 3000 rpm)
Rpm:	6000 Max
Torque:	5Ncm
Inertia:	100gcm ²
Shaft loading:	Axial 50N - Radial 50N (the value decrease when the number of pulses increase)



Dimensions in mm.



Series AS

Electronics Data

Power supply: from 5 to 24V depends on the electronics circuit
 Current consumption: 40/80mA depends on the electronics circuit
 Permissible load: 40mA
 Frequency: 50KHz (standard in LSB)
 Protections: Against short circuit, reversal polarity
 Operating Temp.: -20/+60°C

Ordering code

Series **A S** - *** * * *** / **Pulses** (Max 4.096)
See page pulses

Shaft	Outputs	Options	Connections
7 = Ø 7mm 0 = Ø 10mm 2 = Ø 12mm 4 = Ø 14mm 1 = Ø 15mm	1 = GRAY NPN 11/24V 2 = GRAY Push-Pull 11/24V 3 = GRAY TTL 5V 4 = BIN. NPN 11/24V 5 = BIN. Push-Pull 11/24V 6 = BIN. TTL 5V 7 = BCD NPN 11/24V 8 = BCD Push-Pull 11/24V 9 = BCD TTL 5V	A = None B = Open coll. P = Parity even D = Parity odd E = GRAY Excess S = Strobe	3 = Cable Radial 9 = Cable Axial R = 9413 Radial N = 9413 Axial 5 = 9416/9426 Rad. 2 = 9416/9426 Axial

Connections

	0 Volt	+ Volt	0 2	1 2	2 2	3 2	4 2	5 2	6 2	7 2	8 2	9 2	10 2	11 2	M	DIR <->	
Connector 9416 12p	P1	P2	P3	P4	P5	P6	P7	P8	P9	P10	P11					P12	
Connector 9426 16p	P1	P2	P3	P4	P5	P6	P7	P8	P9	P10	P11	P12	P13	P14	P15	P16	
Connector 9413 25p	P1	P2	P3	P4	P5	P6	P7	P8	P9	P10	P11	P12	P13	P14	P15	P16	
Cable	B L A C K	B L U E	B R O W N	B E I G E	G R E E N	Y E L L O W	P I N K	V I O L E T	O R A N G E	T R A N S P A R E	W H I T E	W H I T E	G R E E N	V I O L E T	Y E L L O W	Y E L L O W	Y E L L O W

Connections legend:
 M = optional outputs:
 DIR <-> = is the signal direction: clockwise or counter clockwise
 Clockwise standard
 Anticlockwise connect DIR <-> to **0Volt**.