

SWA 90 S

- Absolute Encoder with plug shaft \varnothing 20mm
- direct assembly onto existing shafts
- short length



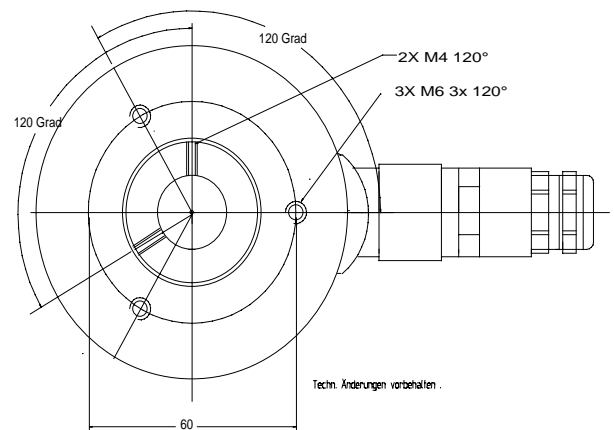
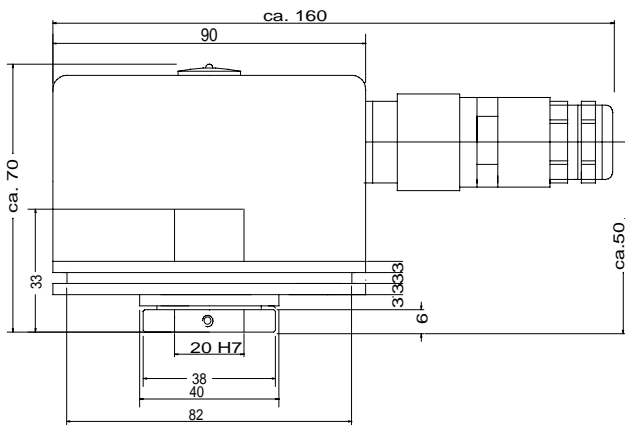
Electrical Specification:

Max. signal element frequency:	10 KHz
Permissible temp. range:	-20° + 60 ° C
Power supply:	12 V 24 V DC +20 %
Max. current consumption:	160 mA (without load)
Max. fan-out:	40 mA (per channel)
Risidual ripple:	max. \pm 5 % DC

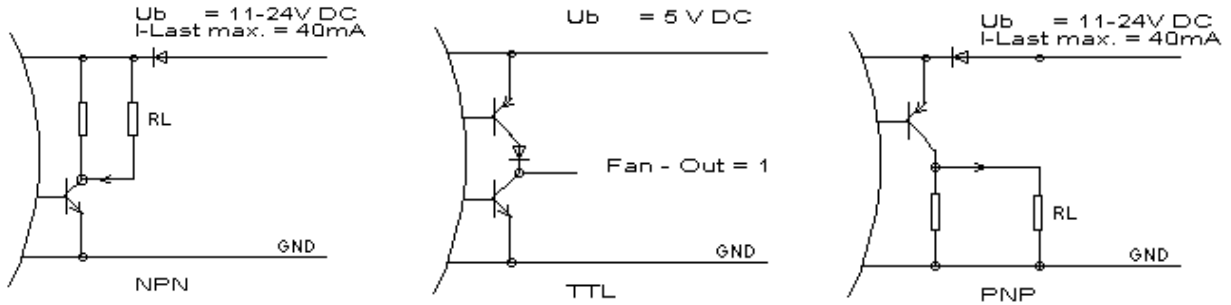
Mechanical Spezifikation:

Flange:	Aluminium
Enclosure:	Sheet steel, powder coated
Shaft:	Stainless steel
Shaft seal:	Oil/Saltwater-resisant
Bearing:	Deep groove ball bearing
Weight:	ca. 1,2 kg
System.of.protection:	IP.65
Max.speed.6000.rpm	
Torque:	ca. 5 Ncm
Max. shaft load:	axial 30N radial 50 N

Mechanical Dimensions:



Output Circuits



Output.Code

Binary, BCD

Gray
(beginning at 0)

Gray – Excess
(beginning at ≠ 0)

Resolution

2, 4, 8, 16, 32, 64, 128,
256, 512, 1024, 2048

2, 4, 8, 16, 32, 64, 128,
256, 512, 1024, 2048,
4096

45, 90, 180, 360, 720,
1440, 2880, 3600

Inputs

Count direction reversal
(Optocoupler)
with +UB)

Optional Extras

Latch
(Optocoupler
with +UB)

Pin Configuration:

Connection	* BCD		10 ⁰				10 ¹				10 ²				10 ³				Option ↔
	GND	+UB	1	2	4	8	1	2	4	8	1	2	4	8	1	2	4		
	Pin	Pin	Pin	Pin	Pin	Pin	Pin	Pin	Pin	Pin	Pin	Pin	Pin	Pin	Pin	Pin	Pin		
12	1	2	3	4	5	6	7	8	9	10	11	12	---	---	---	---	---	---	
16	1	2	3	4	5	6	7	8	9	10	11	12	13	14	15	16	---	---	
00	white	brown	green	yellow	grey	pink	blue	red	black	violet	grey / pink	blue / red	white / green	brown / green	white / yellow	yellow / brown	white / grey	grey / brown	white/ pink

• Upwards of resolution 2048 BCD only cable output!

Order No:

