

Series TR

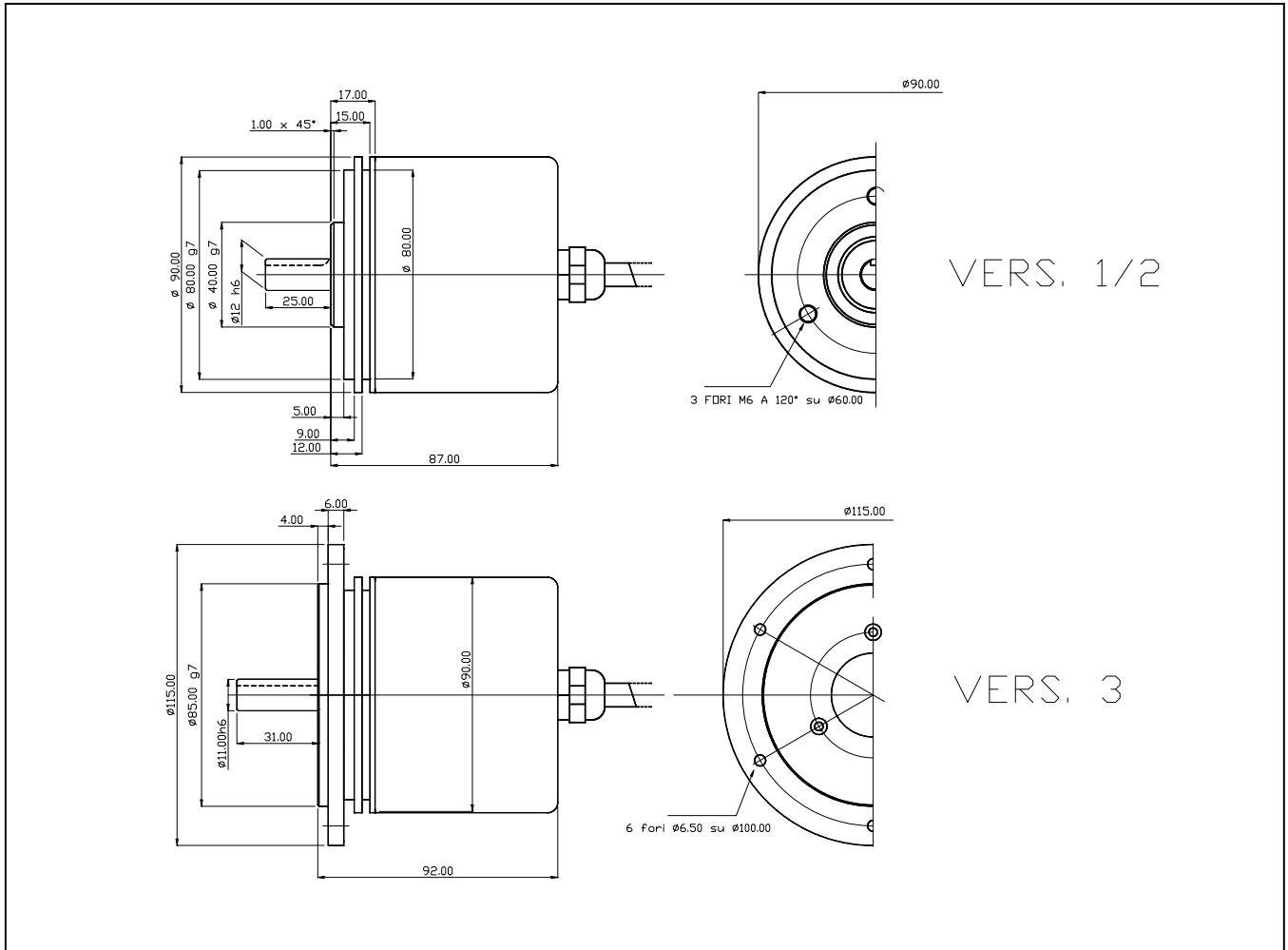
Incremental shaft encoder,
high settlement

Mechanics Data

Cover:	Lacquered aluminium
Body:	Aluminium
Solid shaft:	Stainless steel
Bearings:	2, ballraces
Weight:	Approx.600gr.
Protection:	IP65
Rpm:	6000 Max
Torque:	5Ncm
Inertia:	270gcm ²
Shaft loading:	Axial 100N - Radial 100N (the value decrease when the number of pulses increase)

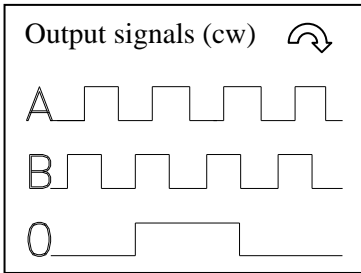


Dimensions in mm.



Series TR

Electronics Data



Power supply: from 5 to 24V depends on the electronics circuit
 Current consumption: 40/80mA depends on the electronics circuit
 Permissible load: 40mA
 Frequency: 600KHz depends on the electronics circuit
 Protections: Against short circuit, reversal polarity
 Operating Temp.: -20/+60°C (-30/+100°C) on request

Ordering data

Series **T R** - ***** **3** ***** ***** ***** ***** / **Pulses** (Max 50.000)

Version

- 1 = Sha. Ø 10mm
Fla. Ø 90mm
- 2 = Sha. Ø 12mm
Fla. Ø 90mm
- 3 = Alb Ø 11mm
Fla Ø 115mm

Outputs

- 2 = AB
- 3 = AB0
- N = AB+ \overline{AB}
- P = AB0+ $\overline{AB0}$
- B = AB
- C = AB0
- G = AB
- H = AB0
- 5 = AB+ \overline{AB}
- 6 = AB0+ $\overline{AB0}$
- 8 = AB+ \overline{AB}
- 9 = AB0+ $\overline{AB0}$
- S = AB+ \overline{AB}
- T = AB0+ $\overline{AB0}$
- K = AB0+ $\overline{AB0}$

Connections

- PP11/28V
- PP11/28V
- PP11/28V
- PP11/28V
- OC11/28V
- OC11/28V
- NPN 11/28V
- NPN 11/28V
- LD5V
- LD5V
- LD5/12V
- LD5/12V
- LD5/12V
- LD15/24V(out 12V)
- LD15/24V(out 12V)
- LD15/24 (out 5V)

Order Connector

- 1 = Cable
- 2 = 9414
- 3 = 9416
- 4 = 9418
- 5 = 9419
- A = Axial
- R = Radial

Options

- 0 = None
- Z = Synchronised zero Pulse to 180° only for Line Driver
- W = Synchronised zero Pulse to 90° only for Line Driver
- A = Special connections
- Y = Power supply 5/12V for output NPN/OC/PP

Connections

	0 Volt	+ Volt	A	B	A	B	0	0
Cable 5 Way	White	Brown	Green	Yellow			Gray	
Cable 8 Way	Black	Blue	Brown	Beige	Green	Yellow	Pink	Violet
Connector 9414	Pin1	Pin2	Pin3	Pin4			Pin5	
Connector 9416	Pin1	Pin2	Pin3	Pin4	Pin5	Pin6	Pin7	Pin8
Connector 9418	PinA	PinB	PinC	PinD	PinE	PinF	PinG	
Connector 9419	PinA	PinB	PinC	PinD	PinE	PinF	PinG	PinH