

# PA 02

Incremental shaft encoder with 12 mm shaft.  
Special merits: robust construction and low torque.

□



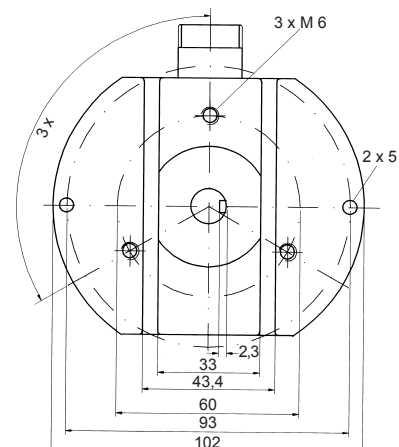
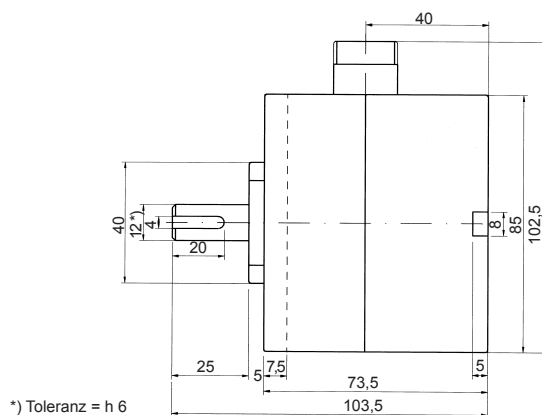
## Electrical Specifications:

Max. pulse frequency:	100 kHz
Permissible temp. range:	-20° . . . +60° C
Supply voltage:	11V . . . 24V DC +20%
Max. current consumption:	- 80 mA (without load)
Max. fan-out:	30 mA (per channel)
Residual ripple:	max. ± 5% U <sub>B</sub>
Supply voltage:	5V DC ± 5%
Max. current consumption	- 80 mA

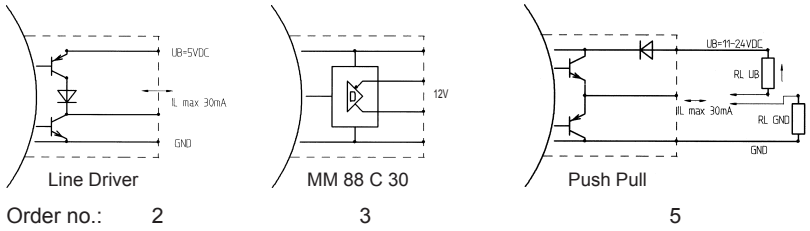
## Mechanical Specifications:

Enclosure:	Zinc diecasting
Shaft:	Stainless steel
Bearing:	Deep groove ball bearing
Weight:	ca. 1,2 kg
System of protection:	IP 54
Max. speed:	6000 U/min
Torque:	ca. 3 Ncm
Max. shaft load:	axial 30 N radial 50 N

## Mechanical Dimensions:



**Output Circuits:**

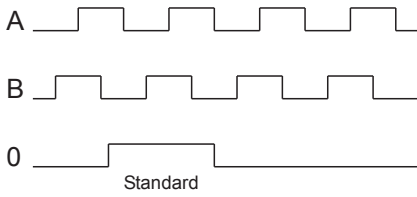


Order no.: 2

3

5

**Signal Outputs:**



Two square pulse trains offset by 90° el, with channel A lagging in clockwise rotation.

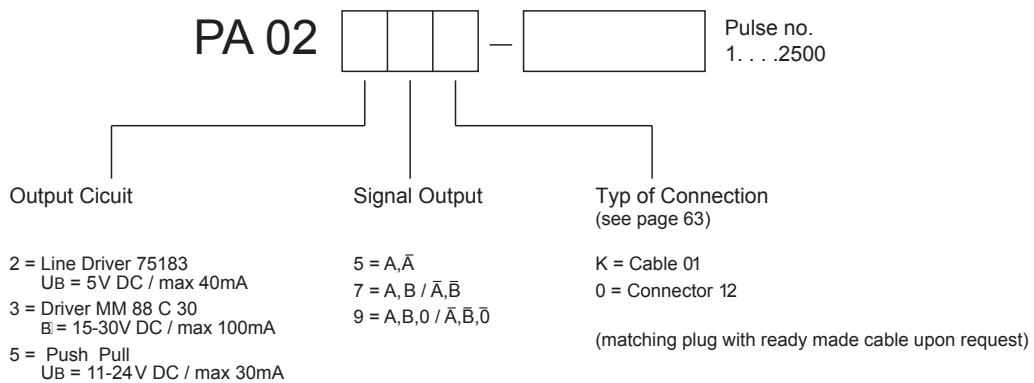
Reference pulse 0 once per revolution. Redom in position and length.

All channels can also be inverted.

**Pin configuration:**

Typ of connection	GND	+ UB	A	B	$\bar{A}$	$\bar{B}$	0	$\bar{0}$	$\perp$
K (01)	black	blue	brown	beige			yellow		gb/gn
„ K (01)	black	blue	brown	beige	yellow	green	pink	violet	gb/gn
„ 0 (Connector12pol.)	1	2	3	4	5	6	7	8	11

**Order No.:**



see page 55/56 for mechanical accessories