

# PH 05

Due to its size, this incremental shaft encoder meets the highest of mechanical demands. It is used wherever high mechanical stresses are likely.



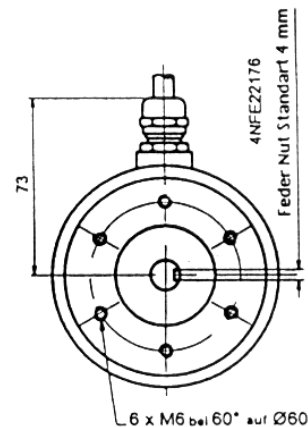
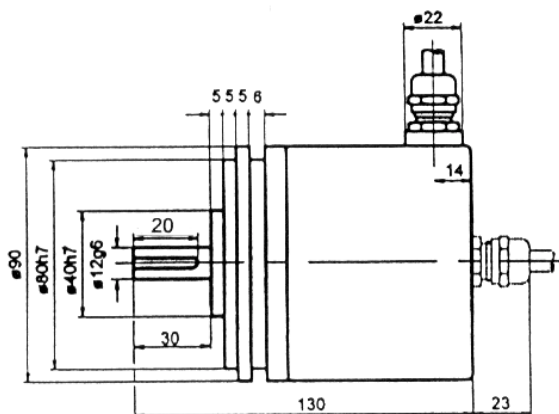
### Electrical Specifications:

Max.pulse.frequency:	100 kHz
Permissible.temp.range:	-20 <sup>0</sup> .....+60 <sup>0</sup> C
Power supply:	1 1V .....24V DC +20%
Max.current.consumption:	>80mA(without.load)
Max.:fan-out	30mA per channel
Supply voltage:	5V DC ±5%
Max.curren.consumption:	≤ 80 mA
	≤ 150mA bei Line Driver
Residual.ripple:	max. ± 5% von U <sub>B</sub>

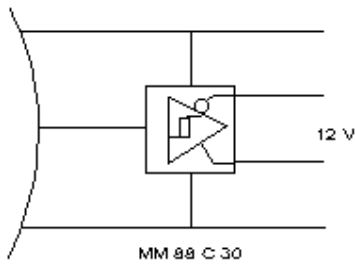
### Mechanical Specifications:

Flange:	Aluminium
Enclosure:	Sheet steel , powder coated
Shaft:	Stainless.steel
.....Shaft.seal:	Oil/Saltwater-resistant
...Bearing:	Deep.groove.ball,bearing
Weight:	ca. 1,2 kg
Protection:	IP 65
Max.speed:	6000 U/min.
Max. shaft load:	axial 30 N radial 50 N
Torque:	ca. 5 Ncm

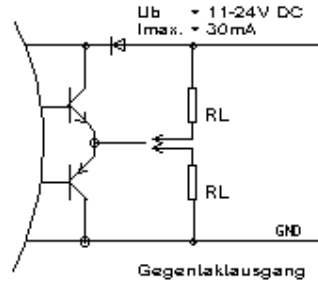
### Mechanical Dimensions:



**Output Circuits:**

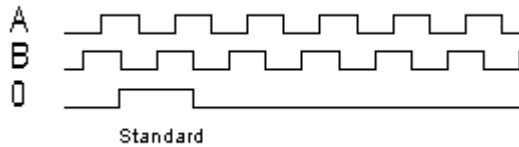


Output 3



Output 5

**Signal Outputs:**



Zwei um 90° el versetzte Rechteckimpulsfolgen, with channel A lagging in clockwise rotation

Reference pulse 0 once per revolution.

Random in position and length

**Pin Configuration:**

Pin	1	2	3	4	5	6	7	8	9	10	11	12
Color	white	brown	green	yellow	grey	pink	blue	red				
Funktion	GND	+UB	A	B	0	AN	BN	0N	----	----	----	----

**Order No:**

**PH 05** [ ] [ ] [ ] [ ] - [ ] Impulszahl

**Output circuit**  
3 = 88 C 30  
5 = Push Pull

**Art/Typ of connection**  
3R = Cable radial (length 2m)  
3A = Cable axial (length 2m)  
6R = Connector 12pol. radial  
6A = Connector 12pol. axial

**Output**  
5 = A + AN  
6 = A + AN + 0 + 0N  
7 = A + AN + B + BN  
9 = A + AN + B + BN + 0 + 0N

**Art of revolution**  
9 = 1 bis 1000 Impulse  
0 = 1001 bis 2500 Impulse  
3 = 2501 bis 3600 Impulse