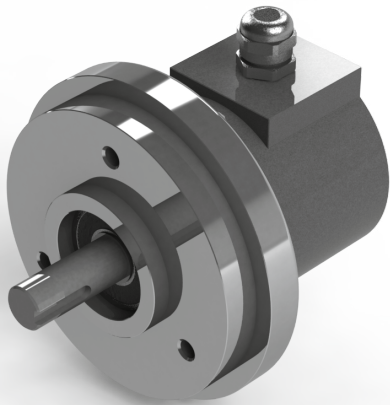


## Series 3000 intrinsically safe tachometer with 4 ... 20 mA output



3 X K 1 - 0 5 X X - X X X X

	<u>Connection</u>		
<u>Protection</u>	1 = 2m cable		
A = IP54	F = 4 pin plug		
B = IP65	(not for IP66)		
C = IP66 Aluminum	<u>Exit</u>		<u>Speed (RPM)</u>
D = IP66 S. Steel	A = Axial		4mA = 0 RPM
	R = Radial		20mA = Max RPM
			Rated RPM: Min 300, Max 3000

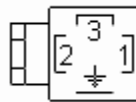


### Technical Data

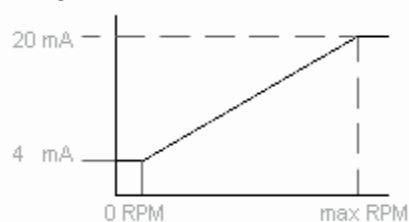
Operating temp:	- 20 ...+ 60 degrees C
	- 4 ...+ 140 degrees F
Weight:	43 oz (1.2 kg)
Protection:	IP 65 (IP54 available)
Housing:	Aluminum
Shaft:	Stainless Steel
Bearings:	Ball Races 2 x 6001 ZZ
Torque:	0.7 oz/in (5 N-cm)
Humidity:	Up to 98% permissible
Max Speed:	3000 RPM max.
Shaft load:	Supports its own weight
Precision:	
	0 rpm = +/- 0.05mA
	1 rpm to max rpm = +/- 0.2 mA

### Connection Options

	<b>9412</b>	<b>Cable</b>
+ Loop	1	Red
- Loop	2	Black



### Output



## Certifications

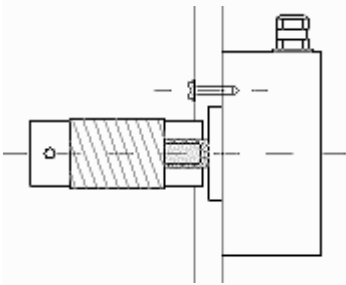
Best suited to work with the following isolators: [MTL5541](#)

IP 65

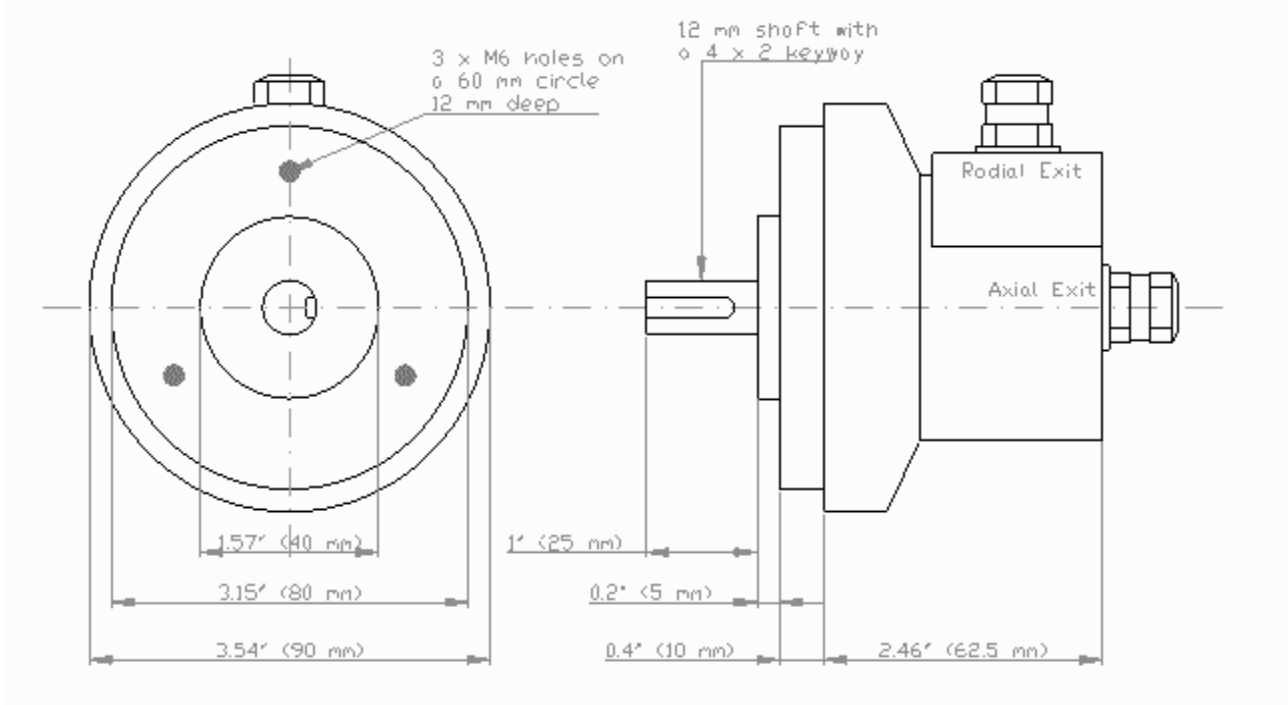
ATEX [\[Certificate\]](#)

## Mounting Instructions

Hook up the encoder with the connections as described. Make sure power supply meets specifications. Attach encoder to mounting bracket as shown. Attach shaft using a flexible coupling.



## Dimensions IP65



## Dimensions IP66

