

## Series R

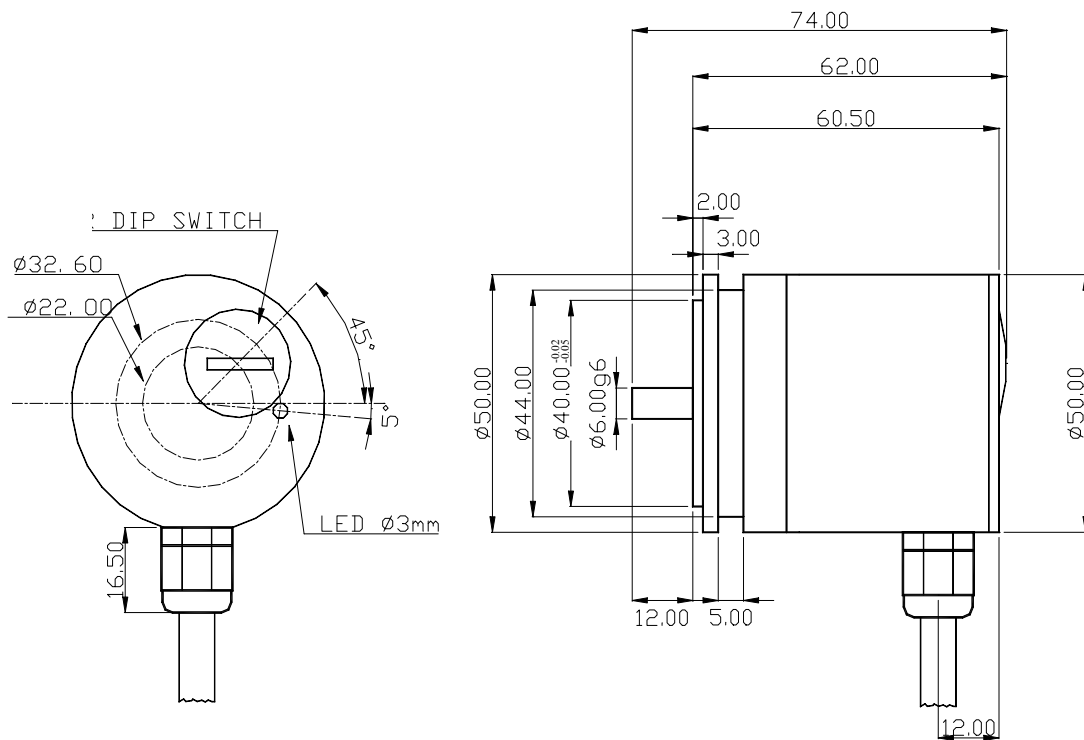
Absolute shaft encoder single turn (ø50mm) with selection resolution right to application on turret tool holder.

### Mechanics Data

Cover :	Aluminium
Body :	Aluminium
Solid shaft:	Stainless steel
Bearings:	2, ball races
Weight:	250gr.
Protection:	IP65
Rpm:	6000 Max
Torque:	5Ncm
Inertia:	100gcm <sup>2</sup>
Shaft loading:	Axial 100N - Radial 100N (the value decrease when the number of pulses increase)



Dimensions in mm



## Series R

### Electronics Data

Power supply: from 5 to 24V depends on the electronics circuit  
 Current consumption: 40/80mA depends on the electronics circuit  
 Permissible load: 40mA  
 Frequency: 50KHz (standard in LSB)  
 Protections: Against short circuit, reversal polarity  
 Operating Temp.: -20/+60°C

### Ordering code

Series **R** - **\* 3 \* \* \*** / **Pulses** (Max 256)

<b>Shaft</b>	<b>Code/Outputs</b>	<b>Connections</b>	<b>Connector</b>	<b>Options</b>
3 = Ø 6mm	2 = Gray/Binary PP 11/24V 3 = Gray/Binary TTL 5V	1 = Cable	R = Radial	0 = None

### Connections

Code: Gray/Binary	0 Volt	+ Volt	0 2	1 2	2 2	3 2	4 2	5 2	6 2	7 2
<b>Cable</b>	B L A C K	B L U E	B R O W N	B E I G E	G R E E N	Y E L O W	P I N K	V I O L E T	O R A N G E	T R A N S P A R

The U/D and G/B option can be selected through the Dip-Switch accessible through the advanced stopper.

