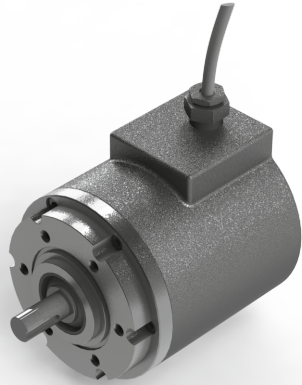


## Series CS30 absolute 4...20mA heavy duty shaft encoder up to 12mm



3 X K 1 - X X X X - 0 3 6 0

<p><u>Protection</u>                  A = IP54                  B = IP65                  C = IP66/X7 Al                  D = IP66/X7 SS</p>	<p><u>Output Type</u>                  34 = 3 wire, standard                  06 = 2 wire, intrinsically safe when used with MTL5541                  66 = 2 wire, not certified</p>	<p><u>Resolution</u>                  See under technical data</p> <p><u>Exit</u>                  A = Axial                  R = Radial</p> <p><u>Connection</u>                  1 = 2 m cable                  2 = 5 m cable                  F = 4 pin plug (not for IP66)</p>
--	--	--



Zone 0, Class 1 Div 1

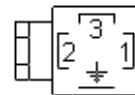
### Technical Data

Operating temp: - 20 ...+ 60 degrees C  
 - 4 ...+ 140 degrees F  
 On request: -20 ... + 100 degrees C  
 Current consumption: 80 mA (max.)  
 Power supply: 24V  
 Weight: 42 oz (1.2 kg)  
 Housing: Aluminum  
 Shaft: Stainless Steel  
 Bearings: 2 x 6001 ZZ  
 Torque: 0.4 oz/in (3 N-cm)  
 Humidity: Up to 98% permissible  
 Speed: 3000 RPM max.  
 Shaft load: Radial / Axial 10 N

### Connection Options

#### 2 wire version (intrinsically safe EEx ia IIC)

	<b>4 pin plug</b>	<b>Cable</b>
+ Loop	1	Red
- Loop	2	Black



#### 3 wire version (standard)

	<b>4 pin plug</b>	<b>Cable</b>
PS GND	1	Black
PS +24V	2	Red
Output 4...20mA	3	White

### Resolution

#### Intrinsically Safe version: (10 bits)

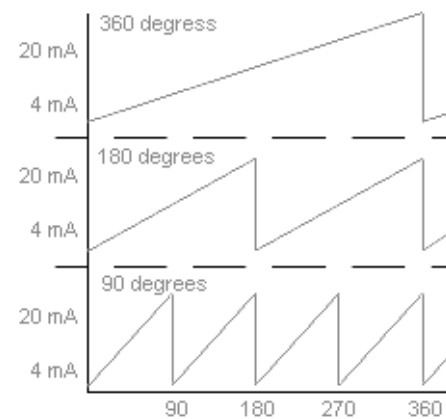
0360 = 1024 counts per current ramp  
 1 ramp per turn (360 degrees per ramp)  
 0180 = 512 counts per current ramp  
 2 ramps per turn (180 degrees per ramp)  
 0090 = 256 counts per current ramp  
 4 ramps per turn (90 degrees per ramp)

#### Non-intrinsically Safe version: (12 bits)

0360 = 4096 counts per current ramp  
 1 ramp per turn (360 degrees per ramp)  
 0180 = 2048 counts per current ramp  
 2 ramps per turn (180 degrees per ramp)  
 0090 = 1024 counts per current ramp  
 4 ramps per turn (90 degrees per ramp)

### Output

Count will increment in CW direction.



\*4...20mA span based on 250 ohm load

## Certifications

Best suited to work with the following isolators: [MTL5541](#)

ATEX

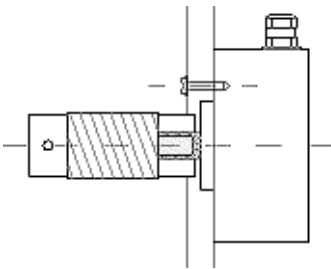
IECEX

CSA

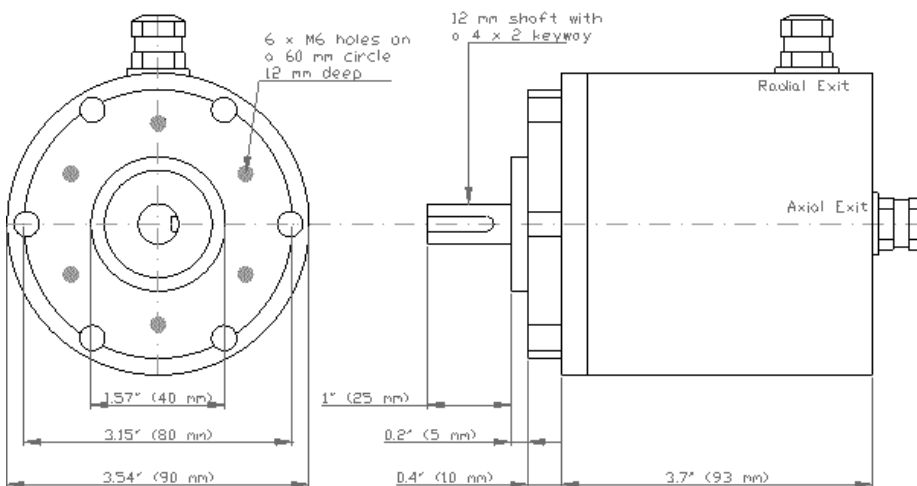
GOST (CU)

## Mounting Instructions

To mount encoder on machine: Option 1 is to mount with three screws, option 2 is to use synchroflange mounting brackets. Hook up the encoder with the connections as described. Make sure power supply meets specifications. Attach encoder to mounting bracket as shown. Attach shaft using a flexible coupling.



## Dimensions IP65



## Dimensions IP66

