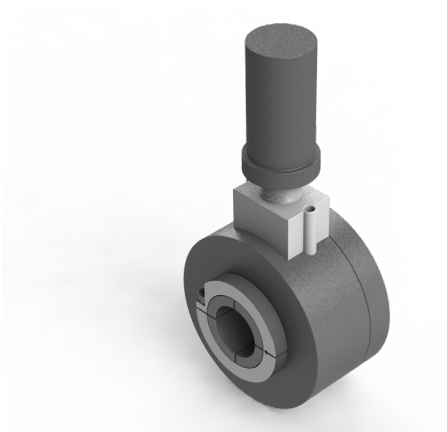


## Series NAMFPX intrinsically safe incremental hollow shaft encoder - WiFiEx



NAMFPX X X X WGR / X X X X

<u>Shaft Size</u>	<u>Output</u>	<u>Resolution - ppr</u>
14 = 14 mm	L = Quadrature	
16 = 16 mm	D = DeviceNet	
20 = 20 mm	R = XML RS232	
25 = 25 mm		
30 = 30 mm		
AA = 1"		



### Technical Data

#### Encoder:

Operating Temp:	-20C to +49C
Housing Material:	Hard Anodized Aluminum
Shaft Material:	St. Steel
IP rating:	IP66M
Shaft load:	Supports 'system' weight
Humidity:	98% permissible
Shock:	10mg (6msec)
Vibration:	5g (500Hz)
Shaft Speed:	3000 rpm or 2.5kHz (electrics)

#### Transmitter:

Operating Temp:	-20C to +60C
Housing Material:	Plastic
IP rating:	IP66
Peak RF:	0 dBm, 1mW
Frequency:	2.4 GHz 124 channels
Data Rate:	250 kbs

#### Battery Pack:

Operating Temp:	-20C to +60C
Housing Material:	Stainless Steel
IP rating:	IP66
Humidity:	98% permissible
Type:	Lithium Thyonide Chloride
Life Time:	Max 1.5 years, 19,000 mAh
up to 100ppr	1 billion data transmissions
above 100 ppr	300 million data transmissions

#### Receiver Module:

- Click above for a full description of the outputs that can be generated from the receiver module.  
- The default output protocol for incremental is the standard quadrature output.. This means the encoder can be replaced 1:1 with one in an existing system. The output is 5V pulses.

#### Function:

A low power incremental encoder output is fed into a 16 bit up-down counter. Every time the encoder shaft moves, a pulse edge triggers a data transmission to the distant module. Data is read 100 times per second. If the incremental encoder spins to fast, the data transmission jumps from one counter content to another. Every data transmission contains the full 16 bit counter value.

#### Identity:

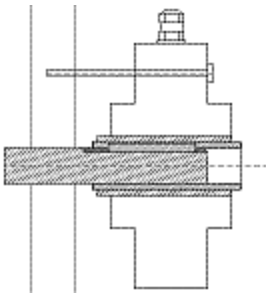
Each encoder has a unique identity number in case multiple sensors are purchased. The ID numbers can be customer specified. As default, they be the serial number of the device, this way, there will never be conflicting identities on a system.

## Certifications

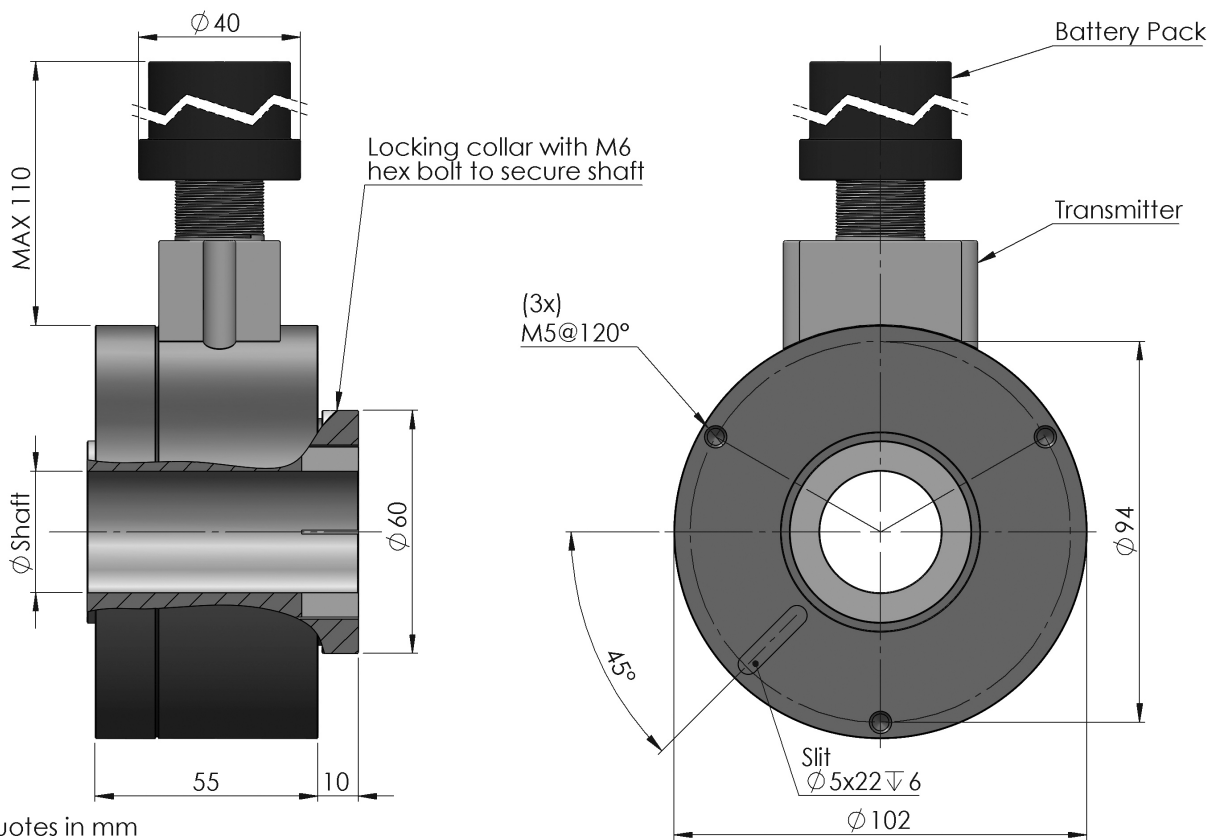
IP66  
IECEX  
ATEX

## Mounting Instructions

1. Just before installing encoder onto shaft, screw the battery pack in firmly to the transmitter housing (the clear part)
2. Mount the encoder mechanically as you would any other encoder.
3. On the safe side, plug in the receiver module into the PLC or computer and start reading the data in whatever format you have.
4. The battery can be 'hot-swapped' in the field for a new battery if it does run out.
5. *If you will NOT immediately use the encoder, do NOT connect the battery. Only connect the battery right before using.*



## Dimensions



All quotes in mm