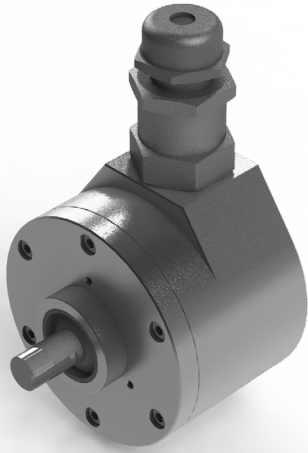


Series MXL stainless steel shaft encoder (Ex d) up to 12 mm for cold temperatures down to -40



M	L	K	5	-	1	3	X	X	-	X	X	X	X
			<u>Shaft Size</u>								<u>Resolution - ppr</u>		
			K5 = 12 x 20 mm								<u>Exit</u>		
											A = Axial		
											R = Radial		
			<u>Protection</u>								<u>Connection</u>		
			L = IP66/67 Stainless Steel								3 = 10m cable		
											5 = 20m cable		

7...24 Volt Extended Line Driver is standard, optional Current Sink Open Collector is available



Class I, Zone 1; Zone 21; Class II, Div 2

Technical Data

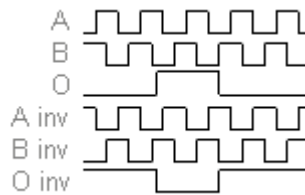
Operating temp:	- 40 ...+ 60 degrees C
	- 40 ...+ 140 degrees F
Max frequency:	150 kHz
Current consumption:	80 mA (max.)
Power supply:	7 - 24V
Weight:	2.5Kg
Protection:	IP 66/67
Housing:	S. Steel
Shaft:	S. Steel
Bearings:	2 x 6001 RSH
Torque:	0.7 oz/in (5 N-cm)
Humidity:	Up to 98% permissible
Speed:	6000 RPM max.
Shock:	10g (6msec)
Vibration:	5g (500 Hz)
Shaft load:	Radial / Axial 10 N
Line driver output max:	50 mA per channel
Max. ppr	5000
Inertia:	100 gm-cm ²

Connection Options

	Cable
PS GND	Black
PS 7 ... 24 V	Red
Output A	White
Output B	Blue
Output O	Yellow
Output A inv	Green
Output B inv	Violet
Output O inv	Brown

Output

Diagram is shown with clockwise shaft rotation viewed from shaft end



Certifications

Flameproof, does not require barrier for use in hazardous areas, and we use a barrier gland for added safety

IP 66/X7

ATEX [\[Certificate\]](#)

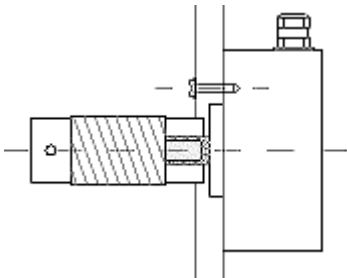
IECEX [\[Certificate\]](#)

CSA [\[Certificate\]](#)

GOST-CU [\[Certificate\]](#)

Mounting Instructions

Hook up the encoder with the connections as described. Make sure power supply meets specifications. Attach encoder to mounting bracket as shown. Attach shaft using a flexible coupling.



Dimensions

