

## Series HWI 58

- ▶ Incremental rotary-encoder with a hollow shaft diameter of 6-15 mm
- ▶ Housing diameter 58 mm, compact design and high degree of protection
- ▶ Maximum 5.000 pulses / revolution
- ▶ For highest industrial requirements
- ▶ Direct assembly onto existing shafts
- ▶ Accessories from page 78

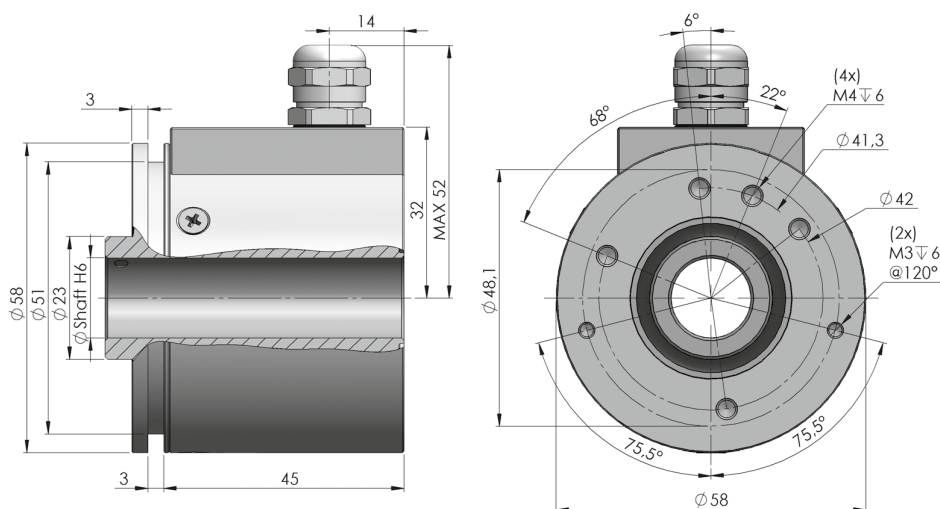
### Electrical specifications

max. pulse frequency:	25 kHz
Perm. temperature range:	-30°... +70° C
Power supply:	10 V... 30 V DC
Current consumption:	80 mA (5 V DC)
Max. output load:	30 mA (per channel)
Residual ripple:	max. $\pm 5\% U_B$
Power supply:	5 V DC $\pm 5\%$
Max. current consumption:	80 mA
Max. output load:	30 mA (per channel)

### Mechanical specifications

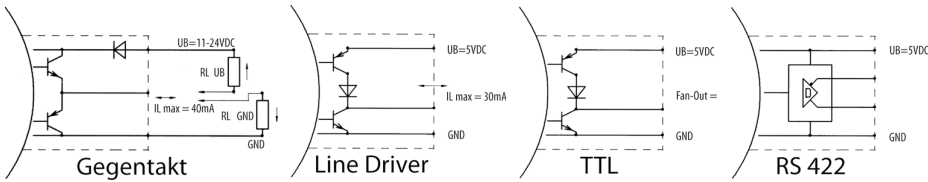
Flange:	Aluminium
Housing:	Aluminium
Shaft:	stainless steel
Bearing:	Deep groove ball bearing
Weight:	approx 0,4 kg
Protection type:	IP 65
Max. speed:	6.000 U/min
Torque:	approx 3 Ncm
Max. shaft load	axial 15 N / radial 30 N

### Mechanical dimensions



All specification in millimeters

## Output circuits



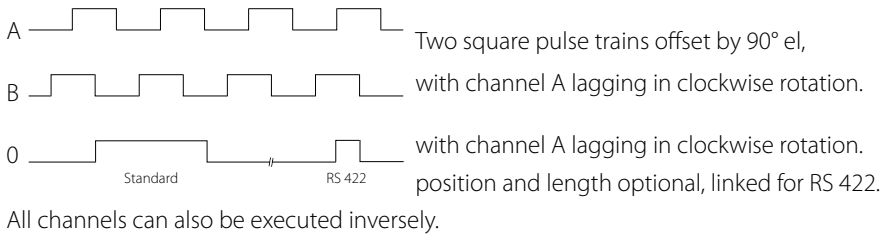
Order ref.: 1

2

3

6

## Signal outputs



## Pin configuration

	GND	+ U <sub>b</sub>	A	B	$\bar{A}$	$\bar{B}$	0	$\bar{0}$
Connection type 00 (Colour code according to DIN 47100)	white	brown	green	yellow			gray	
Connection type 00 (Colour code according to DIN 47100)	white	brown	green	yellow	gray	pink	blue	red
Connection type 01	black	blue	brown	beige			yellow	
Connection type 01	black	blue	brown	beige	yellow	green	pink	purple
Connection type 05	1	2	3	4				
Connection type 08, 09	1	2	3	4	(5)		5	
Connection type 10, 11	1	2	3	4	(5)	(6)	5	6
Connection type 12	1	2	3	4	5	6	7	8
Connection type 52	A	B	C	D	E	F	G	

## Order reference

