

Series HWA 103

- ▶ Absolute singleturn rotary-encoder with a hollow shaft diameter of 10-25,4 mm, parallel- or SSI output
- ▶ Housing diameter 103 mm, small design and high degree of protection
- ▶ Maximum resolution 12 Bit
- ▶ Direct assembly onto existing shafts
- ▶ Also available in stainless steel for aggressive environmental conditions
- ▶ Accessories from page 78

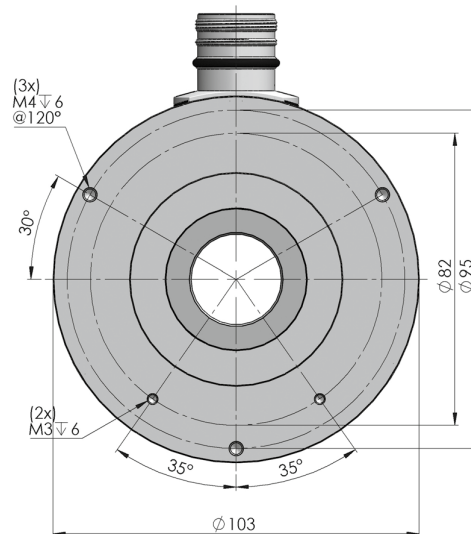
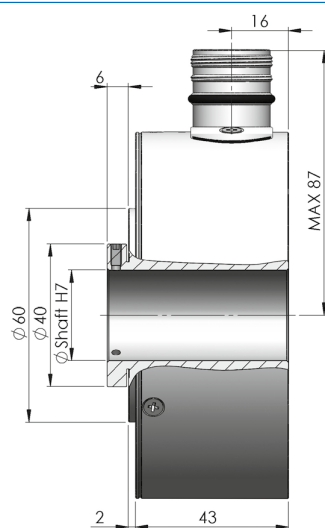
Electrical specifications

max. pulse frequency:	25 kHz
Perm. temperature range:	-30°... +70° C
Power supply:	10 V... 30 V DC
Max. current consumption:	160 mA (without load)
Max. output load:	40 mA (per channel)
Residual ripple:	max. $\pm 5\% U_B$

Mechanical specifications

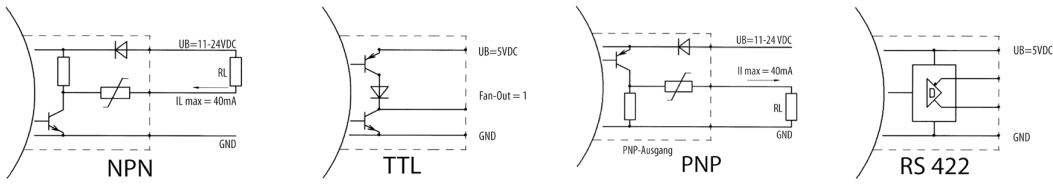
Flange:	Aluminium
Housing:	Aluminium
Hollow shaft:	stainless steel
Shaft seal:	oil/salt-water resistant
Bearing:	Deep groove ball bearing
Weight:	approx 0,8 kg
Protection type:	IP 65
Max. speed:	6.000 U/min
Torque:	approx 15 Ncm

Mechanical dimensions



* Tolerance = H 7
All specification in millimeters

Output circuits



Order ref.: 0

3

5

6

Output code

Output code	Resolution	Inputs	Option
Binary, BCD	2, 4, 8, 16, 32, 64, 128, 256, 512, 1.024, 2.048, 3.600, 4.096	(Octocoupler) Counting direction switchover with + U_B	Latch (Octocoupler input, control with + U_B)
Gray (beginning with 0)	2, 4, 8, 16, 32, 64, 128, 256, 512, 1.024, 2.048, 4.096		
Gray excess (beginning \neq 0))	45, 90, 180, 360, 720, 1.440, 2.880, 3.600		

Pin configuration

Connection type	BCD*		10_0				10_1				10_2				10_3				Option	\leftrightarrow
	GND	+ U_B	1	2	4	8	1	2	4	8	1	2	4	8	1	2	4	Option		
12	1	2	3	4	5	6	7	8	9	10	11	12	-	-	-	-	-	-	-	
16	1	2	3	4	5	6	7	8	9	10	11	12	13	14	15	16	-	-	-	
00	white	brown	green	yellow	gray	pink	blue	red	black	purple	gr/pin	bl/re	ws/gre	br/gre	wh/ye	ye/br	wh/gr	gr/br	wh/pin	

* as of resolution 2048 BCD, only cable output!

Order reference

