

Serie R Series R



Absoluter Drehgeber
Ø50mm, 12 Bit (wählbar/programmierbar)
Anwendung auf Revolverwerkzeughalter

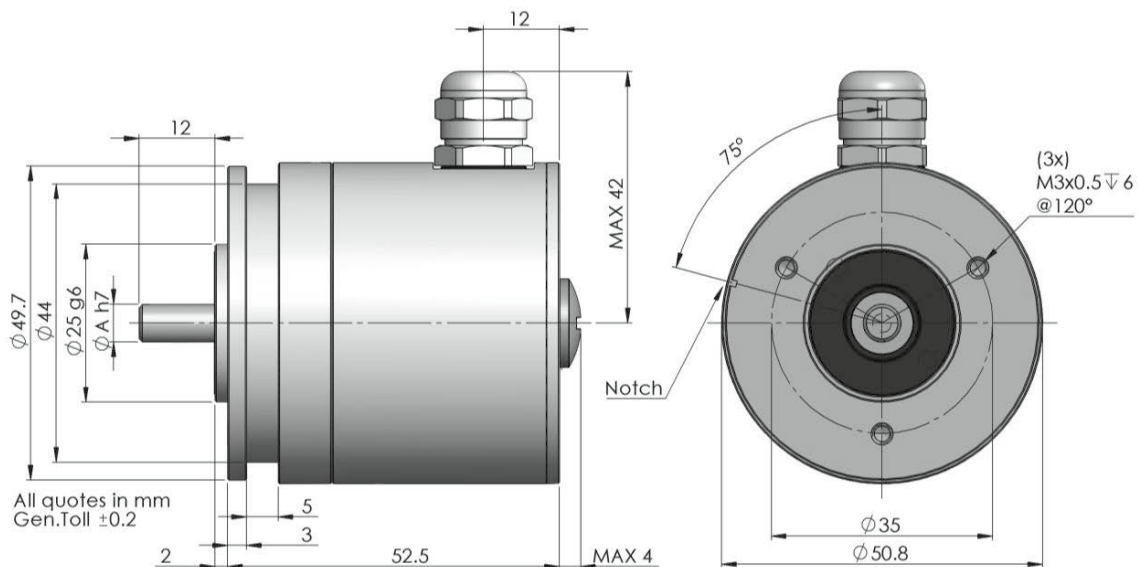
Absolute encoder
Ø50mm, 12 bits (selectable/programmable)
Application on turret tool holder

Mechanische Daten / Mechanics Data

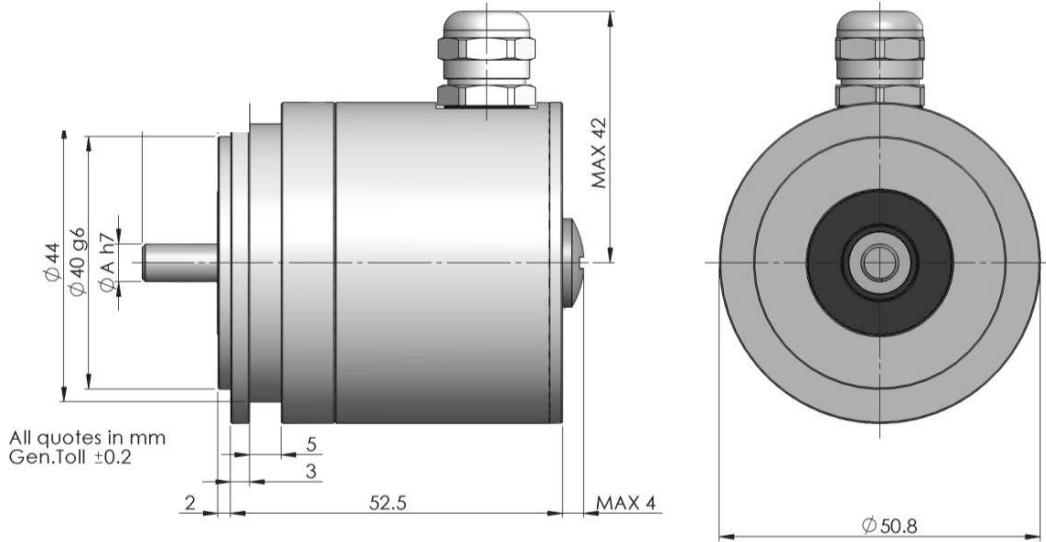
Haube / Cover:	Aluminium / Aluminum
Flansch / Body:	Aluminium / Aluminum
Welle / Shaft:	Edelstahl / Stainless steel
Kugellager / Bearings:	doppelt gelagert / 2 ballraces
Gewicht / Weight:	200 g
IP Schutzart / IP Protection:	IP65
Umdrehungen / RPM:	max. 6000
Drehmoment / Torque:	5Ncm
Trägheitsmoment / Inertia:	100gcm ²
Wellenbelastung / Shaft Loading:	Axial 100N – Radial 100N



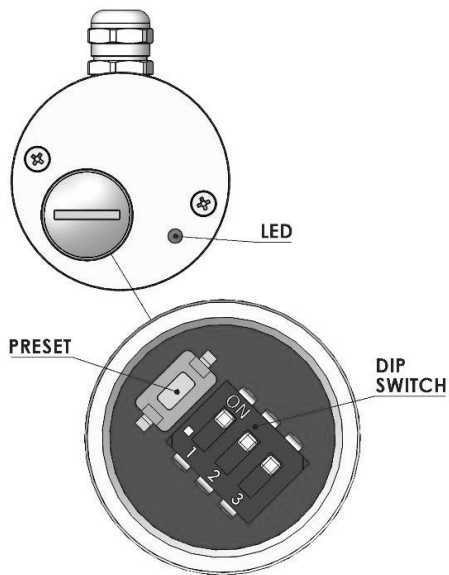
Flansch 2 / Flange 2



Flansch 3 / Flange 3

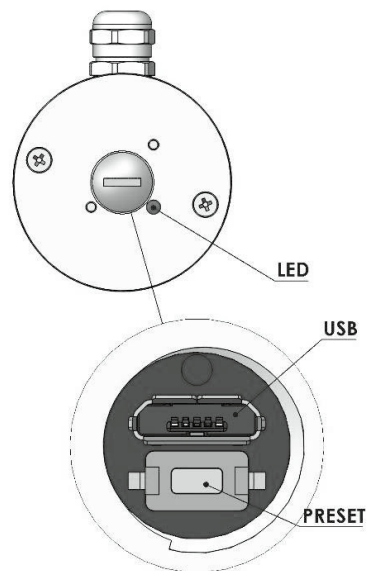


Wählbar / Selectable



		ON	OFF
DIP #1	/	/	/
DIP #2	G/B	Binary	Gray
DIP #3	U/D	Down	Up

Programmierbar / Programmable



PRESET: 2 Sekunden drücken um die Position zurückzusetzen / Push for 2 seconds to reset position
LED: Leuchtet auf, wenn die Welle auf Position 0 oder 1 steht / Light up when shaft is on 0 or 1 position

Elektronische Daten / Electronics Data

Versorgungsspannung / Power supply:	5/24V, hängt von der Ausgangsschaltung ab / depends on the electronics circuit
max. Stromaufnahme / Current consumption:	max 100mA
Ausgang / Output:	Parallel Gray-Binär / Parallel Gray-Binary
max. Ausgangsbelastung / Permissible load:	40mA
Frequenz / Frequency:	50KHz (LSB)
Schutz / Protections:	Kurzschlussfest, Umkehrpolarität / against short circuit, reversal polarity
Betriebstemperatur / Operating Temp.:	-20/+70°C

Bestellbezeichnung / Ordering Code

R	*	*	*	*	*	*	/	**	
	Welle Shaft	Flansch Flange	Ausgangsschaltung Output	Anschluss Connections	Positionierung Orientation	Optionen Options		Auflösung Resolution	
	3 = ø 6 mm 6 = ø 8 mm	2 = 3 = Siehe vorherige Seiten / See previous pages	wählbar max. 13 Bit (8.192) / selectable max 12 bit (8.192) Die Optionen Gray/Binär und Up/Down können per Dip-Switch auf der Abdeckung ausgewählt werden / The Gray/Binary and Up/Down option can be selected by Dip-Switch on the cover						
			2 = GRAY/BIN Push-Pull 11/24V	1 = Cable PVC 2mt	R = Radial	0 = None		360 = 360 1.024 = 1.024 4.096 = 4.096 ... Max 4.096	
			3 = GRAY/BIN TTL 5V						
			Software programmierbar / Programmable by software			Max 6 BIT + Strobe + Parity + Preset			
			U = Push-Pull 5/28V	A = Cable PUR 1mt B = Cable PUR 29 cm	R = Radial	0 = None		PR 01	

Anschlüsse / Connections

	0 Volt	+ Volt	2 ⁰	2 ¹	2 ²	2 ³	2 ⁴	2 ⁵	2 ⁶	2 ⁷	2 ⁸	2 ⁹	2 ¹⁰	2 ¹¹		
Kabel Standard / Standard Cable	SCHWARZ / BLACK	BLAU / BLUE	BRAUN / BROWN	BEIGE / BEIGE	GRÜN / GREEN	GELB / YELLOW	ROSA / PINK	VIOLETT / VIOLET	ORANGE / ORANGE	TRANSPARENT / TRANSPARENT	WEISS-ROT / WHITE-RED	WEISS-BLAU / WHITE-BLUE	GRÜN-WEISS / GREEN-WHITE	VIOLETT-WEISS / VIOLET-WHITE		

	0 Volt	+ Volt	2 ⁰ (D0)	2 ¹ (D1)	2 ² (D2)	2 ³ (D3)	2 ⁴ (D4)	2 ⁵ (D5)	STROBE	PARITY
Kabel PUR / PUR Cable	BLAU / BLUE	BRAUN / BROWN	WEISS / WHITE	GELB / YELLOW	GRÜN / GREEN	VIOLETT / VIOLET	GRAU / GRAY	ROT / RED	SCHWARZ / BLACK	ROSA / PINK

Programm-Software über USB-Anschluss / Programming Software by USB port

The screenshot shows the software interface for configuring an absolute encoder. The interface is divided into several sections:

- Prima Posizione [A]:** A digital display showing the value '1'.
- Ultima Posizione [B]:** A digital display showing the value '16'.
- Codice [C]:** Radio buttons for Binario, Gray, and BCD.
- Conteggio [E]:** Radio buttons for S.O. and A.O.
- Strobe [D]:** STROBE abilitato Alto Basso quando è. durata (*) - MAX 23°:
- Posizioni Nulle [F]:** durata (*) - MAX 23°:
- Assegnamento Canali [G]:** A table for channel assignment:

D0	D1	D2	D3	D4	D5	PAR	STR
0	1	2	3	4	X	6	7

- Parità [H]:** Radio buttons for Dispari and Pari.

Below the settings is a timing diagram showing the signals for POS, D0, D1, D2, D3, D4, D5, STR, and PAR over 16 positions. The diagram shows the digital signals for each channel and the strobe signal (STR) and parity signal (PAR) as a function of position.

At the bottom of the interface, there is a logo for **hohner GROUP** and **><PULSE**. There is also a checkbox for Mostra suggerimenti and buttons for **Connetti**, **Leggi**, and **Scrivi**.

