

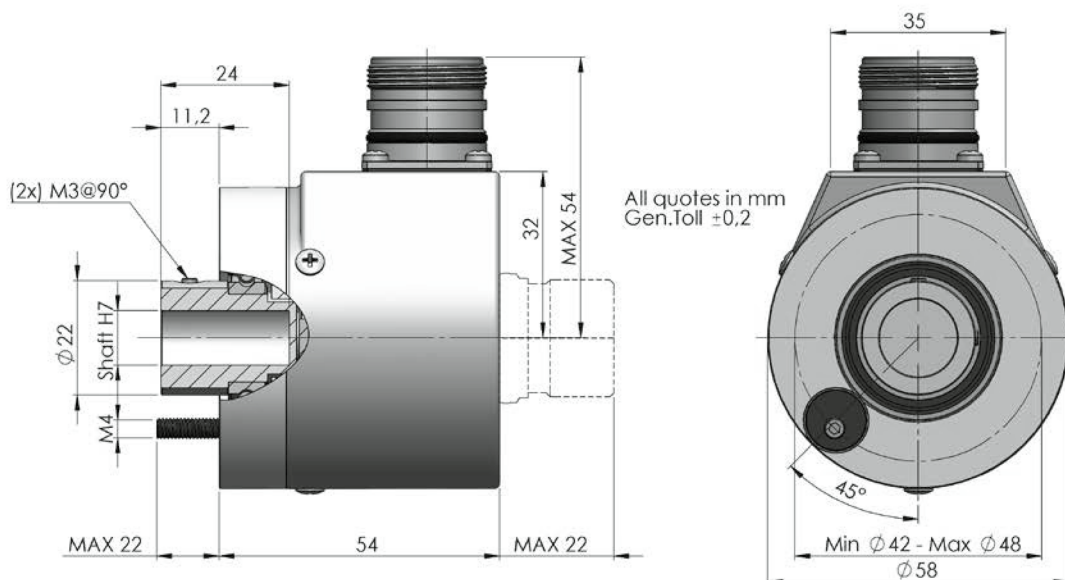
## Serie AS Series AS



### Absoluter Drehgeber mit Steckwelle, Parallel- oder Analog Schnittstelle, $\varnothing$ 58 mm **Absolute rotary encoder** with recessed hollow shaft, parallel or analogue interface, $\varnothing$ 58 mm

#### Mechanische Daten / Mechanics Data

Haube / Cover:	Aluminium / Aluminum
Flansch / Body:	Aluminium / Aluminum
Welle / Shaft:	Edelstahl / Stainless steel
Kugellager / Bearings:	doppelt gelagert / ballraces
Gewicht / Weight:	300 g
IP Schutzart / IP Protection:	IP54 (IP65 auf Anfrage / on request max 3000RPM)
Umdrehungen / RPM:	max. 6000
Drehmoment / Torque:	5Ncm
Trägheitsmoment / Inertia:	100gcm <sup>2</sup>
Wellenlastung / Shaft Loading:	Axial. 50N - Radial 50N



## Elektronische Daten / Electronics Data

Versorgungsspannung / Power supply:	5/24 V, hängt von der Ausgangsschaltung ab / 5/24 V, depends on the electronics circuit
max. Stromaufnahme / Current consumption:	max 100mA
zulässige Belastung / Permissible load:	40mA
Frequenz / Frequency:	50KHz (LSB)
Schutz / Protections:	Kurzschlussfest, Umkehrpolarität / against short circuit, reversal polarity
Betriebstemperatur / Operating temperature:	-20/+70°C

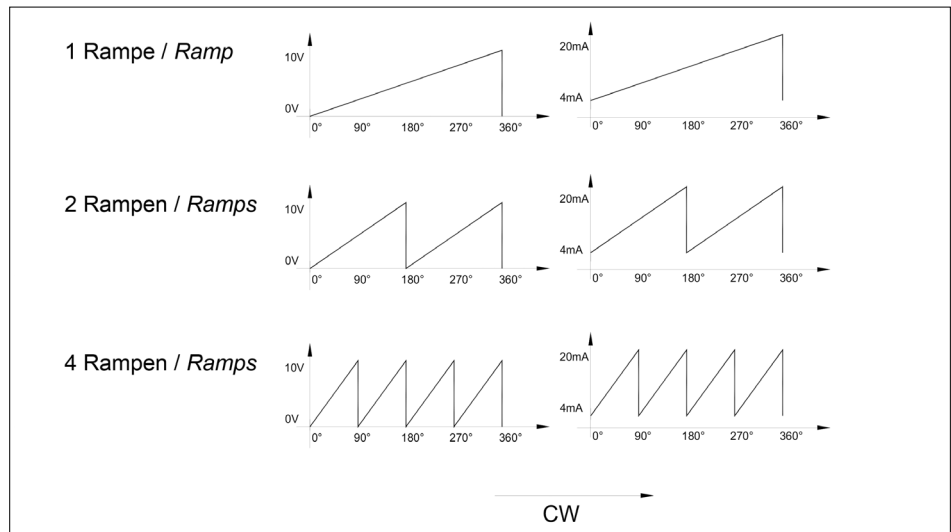
## Bestellbezeichnung / Ordering Code

AS	*	*	*	*	/	****
	<b>Welle Shaft</b>	<b>Ausgangsschaltungen Output</b>	<b>Optionen Options</b>	<b>Anschlüsse Connections</b>		<b>Auflösung Resolution</b>
	7 = Ø 7mm 0 = Ø 10mm 2 = Ø 12mm 4 = Ø 14mm 1 = Ø 15mm	<b>Digital Ausgang / Digital output</b> 1 = GRAY NPN 11/24V 2 = GRAY Push-Pull 11/24V 3 = GRAY TTL 5V 4 = BIN. NPN 11/24V 5 = BIN. Push-Pull 11/24V 6 = BIN. TTL 5V 7 = BCD NPN 11/24V 8 = BCD Push-Pull 11/24V 9 = BCD TTL 5V  <b>Analog Ausgang / Analogue output</b> C = 4-20mA M = 4-20mA / 0-10V D = 0-10V Versorgungsspannung / Power Supply 24V	A = None B = Open Coll. P = Parity parity D = Parity Odd E = GRAY Excess S = Strobe	<b>Kabel / Cable</b> 3 = Cable Rad 9 = Cable Axi  <b>SUB-D 25p</b> R = 9413 Rad N = 9413 Axi  <b>M23 12p/16p</b> 5 = 9416/9426 Rad 2 = 9416/9426 Axi  (zweite Option auf Anfrage / second option on request)		max. 8.192  Analog Ausgang / Analogue Output  R1 = 1 Ramp/Umdr. 1 ramp/turn  R2 = 2 Ramps/Umdr. 2 ramp/turn  R4 = 4 Ramps/Umdr. 4 ramp/turn

## Analog Ausgang / Analogue output

Versorgungsspannung / Power Supply 24V – Nur Anschlüsse / Only connections 5, 2 (9416)

Anschluss 9416 Connections 9416	
1	-
2	+
3	Iout + (4-20mA)
4	
5	Vout + (0-10V)
6	
7	Ud/Down
8	
9	
10	
11	
12	



## Digital Ausgang / Digital output

### Anschlüsse

	0 Volt	+ Volt	0 2	1 2	2 2	3 2	4 2	5 2	6 2	7 2	8 2	9 2	10 2	11 2	M	DIR <->		
<b>Stecker 9416 12p</b>	P1	P2	P3	P4	P5	P6	P7	P8	P9	P10	P11					P12		
<b>Stecker 9426 16p</b>	P1	P2	P3	P4	P5	P6	P7	P8	P9	P10	P11	P12	P13	P14	P15	P16		
<b>Stecker 9413 25p</b>	P1	P2	P3	P4	P5	P6	P7	P8	P9	P10	P11	P12	P13	P14	P15	P16		
<b>Kabel</b>	S C H W A R Z	B L A U	B R A U N	B E I G E	G R Ü N	G E L B	R O S A	V I O L E T T	O R A N G E	T R A N S P A R E N T	W E I S S	W E I S S	W E I S S	W E I S S	V I O L E T T	G R Ü N	G E L B	W E I S S

Legende Anschlüsse

M = Optionale Ausgänge

DIR <-> = ist die Drehrichtung (im bzw. gegen den Uhrzeigersinn)

Im Uhrzeigersinn ist Standard

Gegen den Uhrzeigersinn DIR <-> to **0 Volt**.

### Connections

	0 Volt	+ Volt	0 2	1 2	2 2	3 2	4 2	5 2	6 2	7 2	8 2	9 2	10 2	11 2	M	DIR <->		
<b>Connector 9416 12p</b>	P1	P2	P3	P4	P5	P6	P7	P8	P9	P10	P11					P12		
<b>Connector 9416-16p</b>	P1	P2	P3	P4	P5	P6	P7	P8	P9	P10	P11	P12	P13	P14	P15	P16		
<b>Connector 9413-25p</b>	P1	P2	P3	P4	P5	P6	P7	P8	P9	P10	P11	P12	P13	P14	P15	P16		
<b>Cable</b>	B L A U K	B L A U	B R A U N	B E I G E	G R Ü N	Y E L L O W	P I N K	V I O L E T	O R A N G E	T R A N S P A R E N T	W H I T E	W H I T E	W H I T E	W H I T E	V I O L E T	Y E L L O W	G R Ü N	Y E L L O W

Legend connections:

M = optional outputs:

DIR <-> = is the signal direction: clockwise or anticlockwise

Clockwise standard

Anticlockwise connect DIR <-> to **0 Volt**.