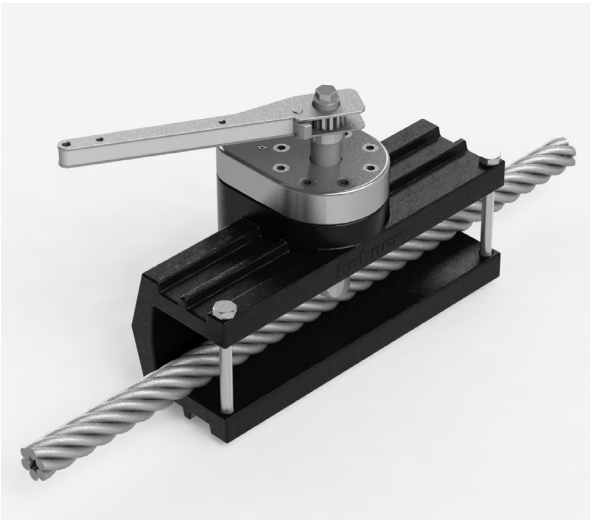


PTS-001 'Pit Bull' - Hook Load / Dead Line Sensor



Part Number: PTS - 001

4...20 mA 2 wire current loop output
Zone 0 Ex ia IIC Certified
For up to 2.5" Cables
Mechanics rated up to 200,000 lbs
MS6 Connector Standard



Certified to ATEX, IECEx and CSA

Field trials successful on three drilling rigs in Germany and Brazil!

Photo shows unit attached to 1" cable. Different inserts, magnetically attached to torque pin are used for different cable diameters.

A 3/4" Hex ratchet is provided and locked into place, though if it does go missing, any 3/4" Hex wrench will do the job.

Technical Data

Operating temp:	- 40 ...+ 60 degrees C - 40 ...+ 140 degrees F
Load Cell Certification:	ATEX, CSA and IECEx
Weight:	22 lbs (10 kg)
Protection:	IP 66 / X7 M
Material Load Cell:	Stainless Steel
Material Chassis:	Aluminum
Material Clamp:	Stainless Steel
Output Tolerance:	0.25% of full scale
Calibration Error:	Under 5%
Temp Effects:	Full shift 0.035%/10C

Advantages

- Easy MS6, MS7 or MS10 connection
- Easy to use clamp on design
- Fully interchangeable with existing units
- Field replaceable load cell, in the event of a failure, only the actual load cell is replaced

Certification

IP 66 and Ex ia IIC
From Load Cell
Best suited to work with the following MTL isolator: [MTL5541](#)

Connection Options

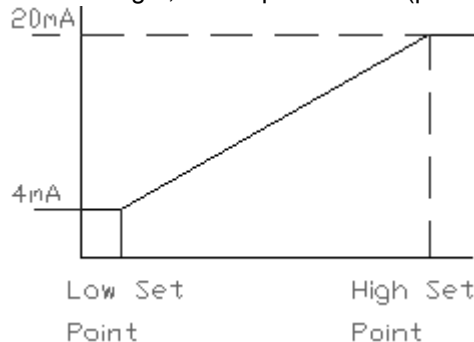
MS6, MS7, MS10 (available with junction box as well)
+ Loop Pin A
- Loop Pin D

Installation

Installed on the deadline side
Output is linearly proportional to tension on deadline
For 0.75" to 2.5" cable diameters

Output Limits (always linear)

At min weight, the output is 4mA (point set by user)
At max weight, the output is 20mA (point set by user)



Dimensions:

