

Series PH 05

- ▶ Incremental rotary-encoder with a solid shaft diameter of 12 mm
- ▶ Housing diameter 90 mm, robust design and high degree of protection
- ▶ Maximum 5.000 pulses / revolution
- ▶ For highest industrial requirements
- ▶ Accessories from page 78

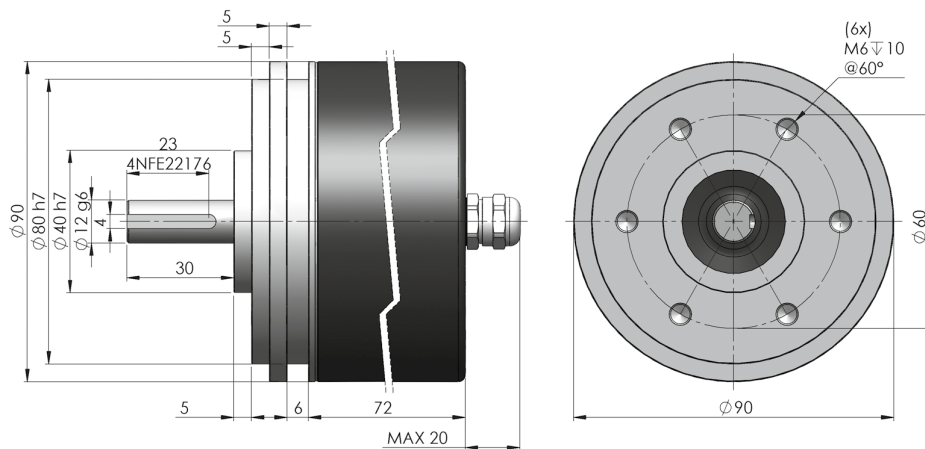
Electrical specifications

max. pulse frequency:	100 kHz
Perm. temperature range:	-30°... +70° C
Power supply:	10 V... 30 V DC
Max. current consumption:	80 mA (without load)
Max. output load:	30 mA (per channel)
Residual ripple:	max. $\pm 5\% U_B$
Power supply:	5 V DC $\pm 5\%$
Max. current consumption:	80 mA 150 mA for Line Driver

Mechanical specifications

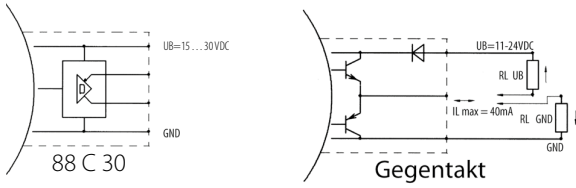
Housing:	Powder-coated sheet steel
Flange:	Aluminium
Shaft:	stainless steel
Shaft seal:	Oil/Salt-water resistant
Bearing:	Deep groove ball bearing
Weight:	approx 1,2 kg
Protection type:	IP 65
Max. speed:	6.000 U/min
Torque:	5 Ncm
Max. shaft load:	axial 30 N radial 50 N

Mechanical dimensions



All specification in millimeters

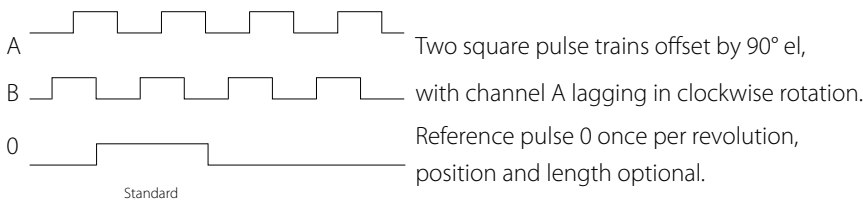
Output circuits



Order ref.: 3

5

Signal outputs



All channels can also be executed inversely.

Pin configuration

Connection	GND	+ U _B	A	B	0	AN	BN	0N
3R / 3 A	white	brown	green	yellow	blue	gray	pink	red
6R / 6 A	Pin 1	Pin 2	Pin 3	Pin 4	Pin 5	Pin 6	Pin 7	Pin 8

Order reference

