

Series AWA 58

- ▶ Absolute rotary-encoder with a solid shaft diameter of 6-12 mm and parallel output
- ▶ Housing diameter 58 mm, compact design and high degree of protection up to IP67
- ▶ Maximum resolution 10 Bit
- ▶ For highest industrial requirements
- ▶ Also available in stainless steel for aggressive environmental conditions
- ▶ Accessories from page 78

Electrical specifications

max. pulse frequency:	25 kHz
Perm. temperature range:	-30°... +70° C
Power supply:	10 V... 30 V DC
Max. current consumption:	170 mA (without load)
Max. output load:	40 mA (per channel)
Residual ripple:	max. $\pm 5\% U_B$
Power supply:	5 V DC $\pm 5\%$
Max. current consumption:	80 mA
Max. output load:	30 mA (per channel)

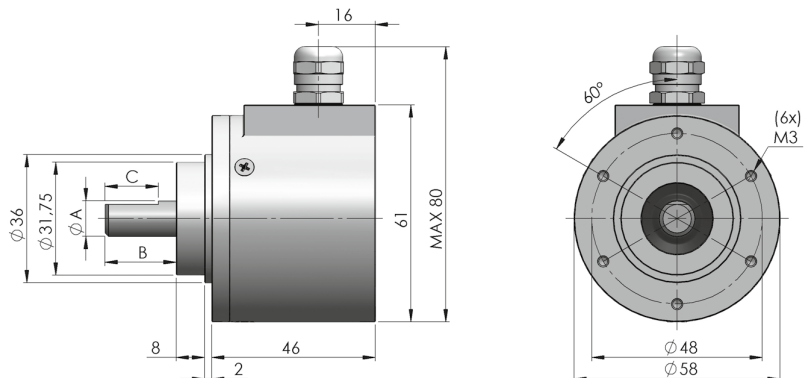
Mechanical specifications

Flange:	Aluminium
Housing:	Zinc die-casting
Shaft:	stainless steel
Shaft seal:	oil/salt-water resistant
Bearing:	Deep groove ball bearing
Weight:	approx 0,4 kg
Protection type:	IP 65
Max. speed:	6.000 U/min
Torque:	approx 3 Ncm
Max. shaft load:	axial 15 N/radial 30 N

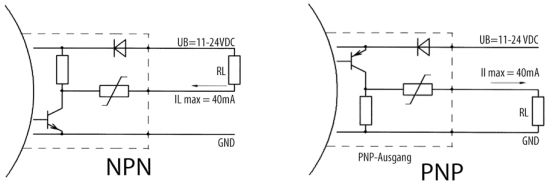
Mechanical dimensions

A	B	C
6 mm	10 mm	9,5 mm
6,35 mm	10 mm	9,5 mm
8 mm	20 mm	15 mm
9,52 mm	20 mm	15 mm
10 mm	20 mm	15 mm
12 mm	25 mm	20 mm

* Tolerance = h 6



Output circuits



Order ref.: 0

5

Output code	Resolution	Inputs	Option
Gray (beginning with 0)	2, 4, 8, 16, 32, 64, 128, 256, 512, 1.024	Counting direction switchover with GND	none
Gray excess (beginning with ≠ 0)	45, 90, 180, 360		

Pin configuration

Connection type	GND	+ U _B	2 ₀	2 ₁	2 ₂	2 ₃	2 ₄	2 ₅	2 ₆	2 ₇	2 ₈	2 ₉	↔
00	white	brown	green	yellow	gray	pink	blue	red	black	purple	gr/pin	bl/re	ye/br
12	1	2	3	4	5	6	7	8	9	10	11	12	
16	1	2	3	4	5	6	7	8	9	10	11	12	16

Order reference

