



Series PA 02

- ▶ Incremental rotary-encoder with a solid shaft diameter of 12 mm
- ▶ Housing diameter 102 mm, extrem robust design and high degree of protection
- ▶ Maximum 5.000 pulses / revolution
- ▶ For highest industrial requirements
- ▶ Low torque
- ▶ Accessories from page 78

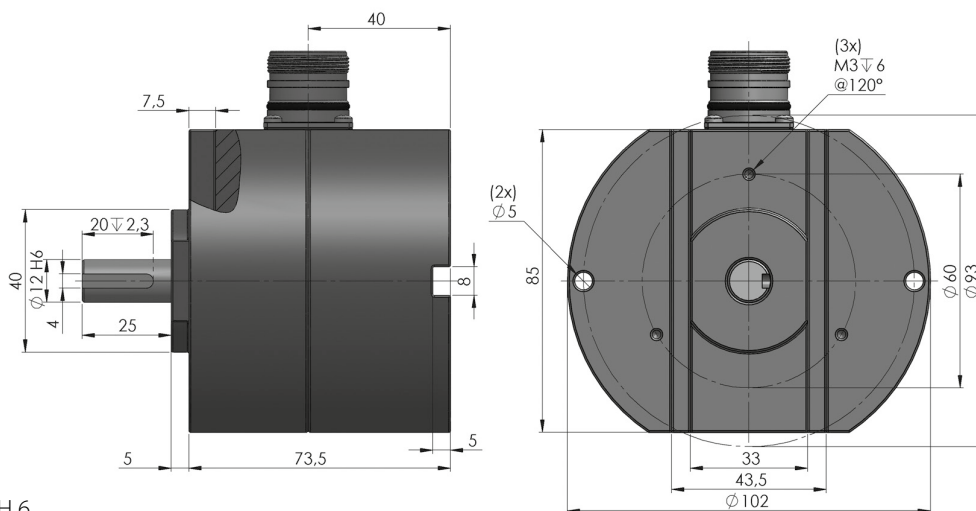
Electrical specifications

max. pulse frequency:	100 kHz
Perm. temperature range:	-30°... +70° C
Power supply:	10 V... 30 V DC
Max. current consumption:	80 mA (without load)
Max. output load:	30 mA (per channel)
Residual ripple:	max. $\pm 5\% U_B$
Power supply:	5 V DC $\pm 5\%$
Max. current consumption:	80 mA

Mechanical specifications

Housing:	Zinc die-casting
Shaft:	stainless steel
Bearing:	Deep groove ball bearing
Weight:	approx 1,2 kg
Protection type:	IP 54
Max. speed:	6.000 U/min
Torque:	approx. 3 Ncm
Max. shaft load:	axial 30 N radial 50 N

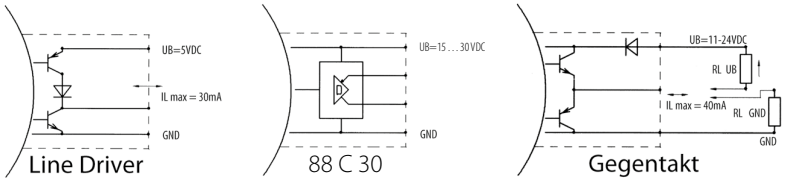
Mechanical dimensions



* Tolerance = H 6

All specification in millimeters

Output circuits

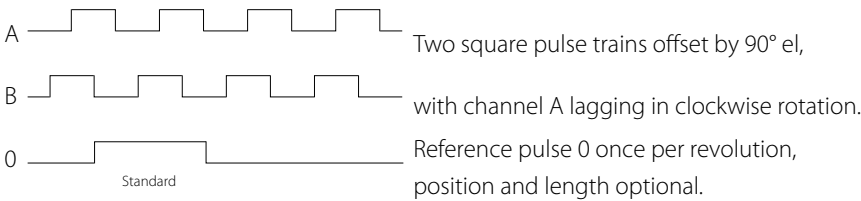


Order ref.: 2

3

5

Signal outputs



All channels can also be executed inversely.

Pin configuration

	GND	+ U _B	A	B	\bar{A}	\bar{B}	0	$\bar{0}$	\perp
Connection type K (01)	black	blue	brown	beige			yellow		yl/gr
Connection type K (01)	black	blue	brown	beige	yellow	green	pink	purple	yl/gr
Connection type 0 (connector 12)	1	2	3	4	5	6	7	8	11

Order reference

