



Series PS & PSM

- ▶ Absolute single- and multiturn rotary-encoder with solid shaft or blind hollow shaft
- ▶ Housing diameter 58 mm, compact design and high degree of protection up to IP67
- ▶ Maximum resolution singleturn 16 Bit
- ▶ Maximum resolution multiturn 30 Bit
- ▶ For highest industrial requirements
- ▶ ProfiNet, Power link, Ethernet/TCP/IP, Ethernet IP or EtherCat interface
- ▶ Accessories from page 78

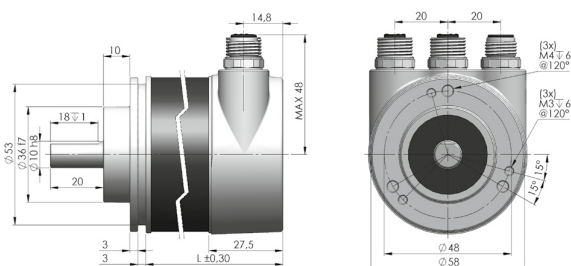
Electrical specifications

Supply voltage:	10-30 V +/- 5%
Power:	max. 4 watt
Interface:	Ethernet
Protocol:	ProfiNet (NRT, RT, IRT)
Transfer rate:	100 MBit/s
Cycle time	<= 1 ms (IRT); <= 10 ms (RT)
Resolution:	Singleturn 16-bit Multiturn 30-bit (16-bit singleturn - 14-bit multiturn)
Linearity	+/- 2 LSB x 16-bit, 1 LSB x 14-bit +/- 1/2 LSB 12-bit
Output code:	Binary
Programmability:	Resolution turn Resolution total Preset
Terminating resistor:	adjustable with DIP switches
Operating temperature:	Standard -40° C ... +85° C

Mechanical specifications

Housing:	Aluminium
Flange:	Aluminium
Shaft:	stainless steel
Bearing:	2 ball bearings
Weight:	400 g
Protection type:	IP 67
Max. speed:	6.000 U/min
Torque:	< 0.5 Ncm
Moment of inertia:	20 g/cm ²
Max. shaft load:	axial 20 N - Rad 40 N axial 40 N - Rad 60 N

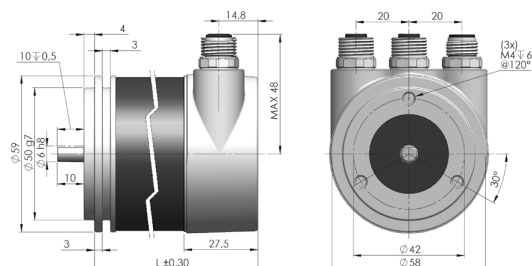
Mechanical dimensions



Flange 1H

Singleturn *L = 69,00 / Multiturn *L = 80,00

* Tolerance = ± 0,2 / All specification in millimeters

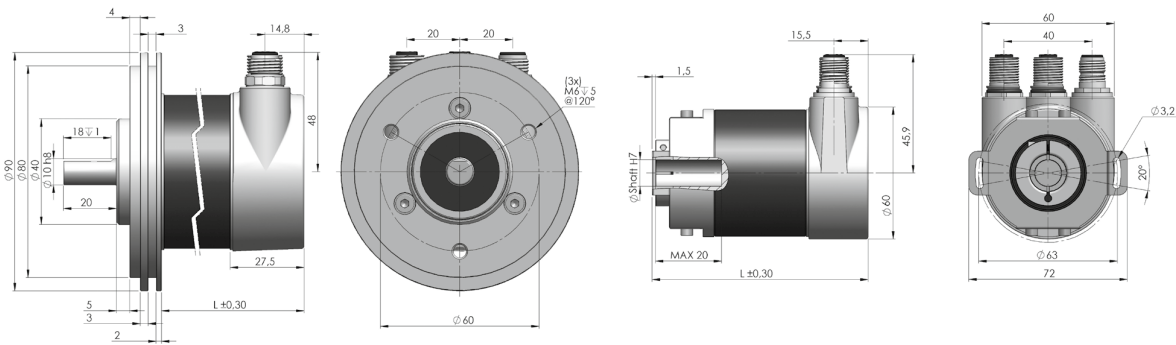


Flange 13 / Flange 33

Singleturn *L = 69,00 / Multiturn *L = 80,00

* Tolerance = ± 0,2 / All specification in millimeters

Mechanical dimensions



Flange T1

Singelturm *L = 69,00 / Multiturm *L = 80,00

* Tolerance = ± 0,2 / All specification in millimeters

Blind hollow shaft with spring sheet

B8 = Ø 10 mm, C8 = Ø 12 mm, E8 = Ø 15 mm

* Tolerance = ± 0,2 / All specification in millimeters

Order reference

